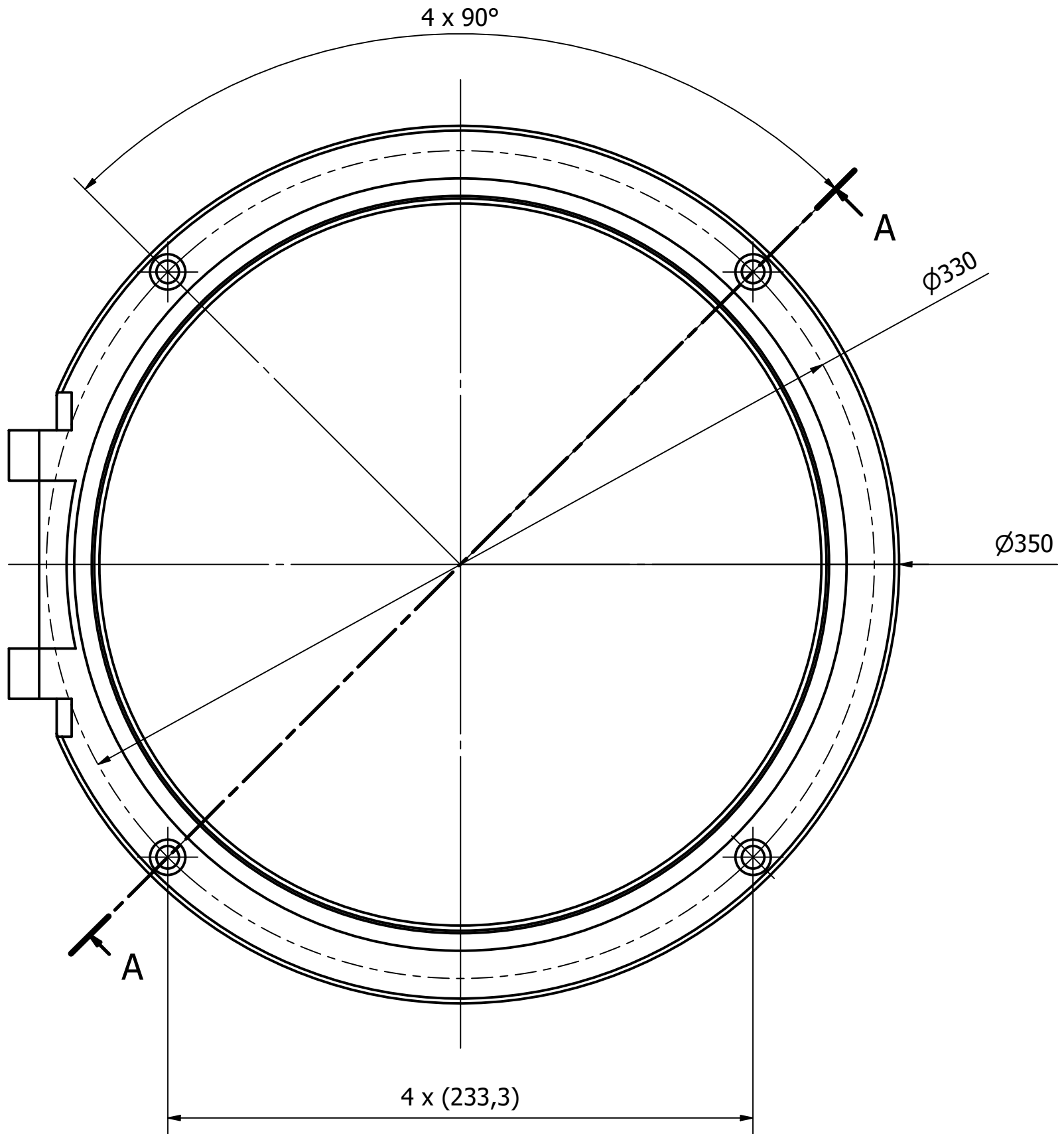



A-A (1:2)



Mått > 150 mm kan variera ±1 mm

Description					
Material Aluminum alloy EN AB-46000					
General tolerance ISO 2768-1 m	Designed by AE	Date 2021-02-23	Weight	Revision	Scale 1:2
Nominal size	±	Title Rund inkastlucka (Ljunghäll)		Sheet sz. A3	
(0.5) - 6	0.1	 PART OF SULO GROUP		Part number	
(6) - 30	0.2			Sheet nr. 1/1	
(30) - 120	0.3				
(120) - 400	0.5				
(400) - 1000	0.8				
(1000) - 2000	1.2				
(2000) - 4000	2.0				
Moljns väg 6, 589 41 Linköping, Sweden +46 (0)13-13 04 20					

COPYRIGHT STATEMENT

This drawing is confidential and legal title to and copyright in this drawing is and remains vested in San Sac AB. It must not be copied, used or disclosed to third parties without the prior written permission of San Sac AB and must be returned upon request.